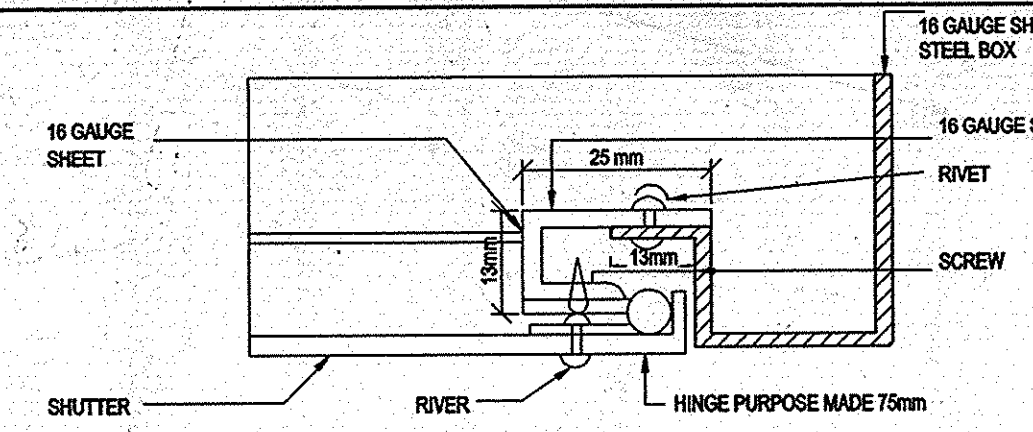
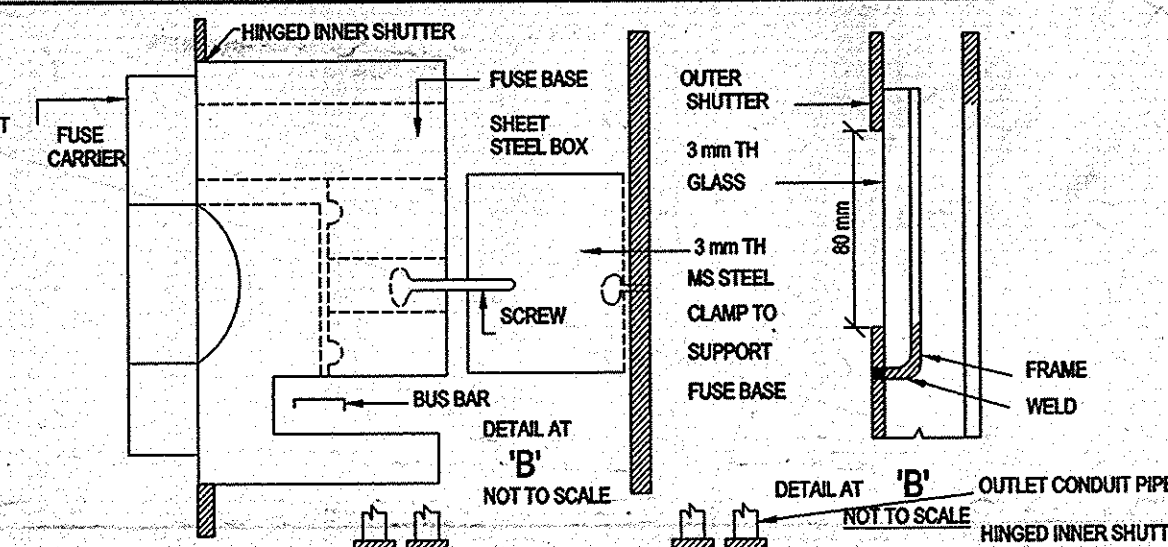


NOTES

- 1 THIS DRG. SHALL BE REFERED ONLY FOR CONSTRUCTIONAL PURPOSE OVER ALL DIMENSIONS LENGTH & BREADTH SHALL BE ADOPTED FROM THE RESPECTIVE DRG.
- 2 1 NO. 75 mm LONG MS BLACK JAPAN HASP & STAPLE SHALL BE REVETTED TO SHUTTER FRAME FOR LOCKING ARRAN GEMENT IN STEAD OF STEEL LOADED BALL CATCH.

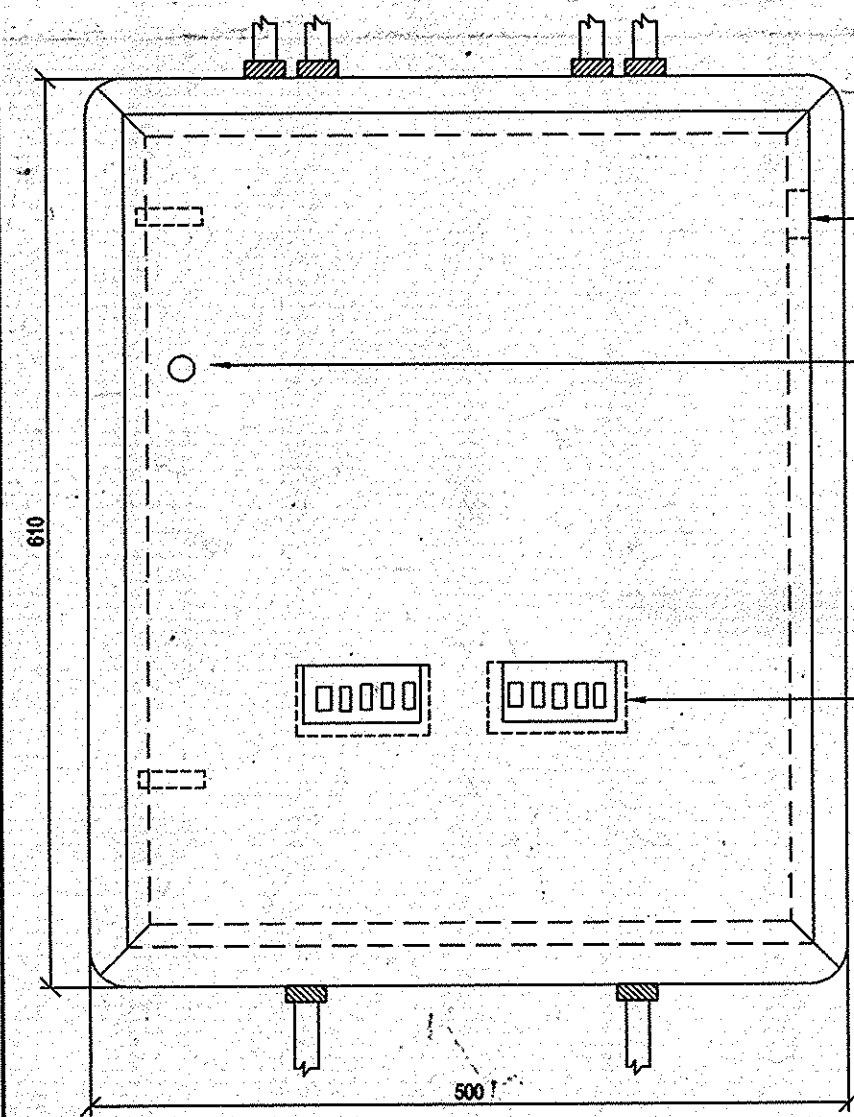


DETAIL 'A'  
SCALE - 1:10



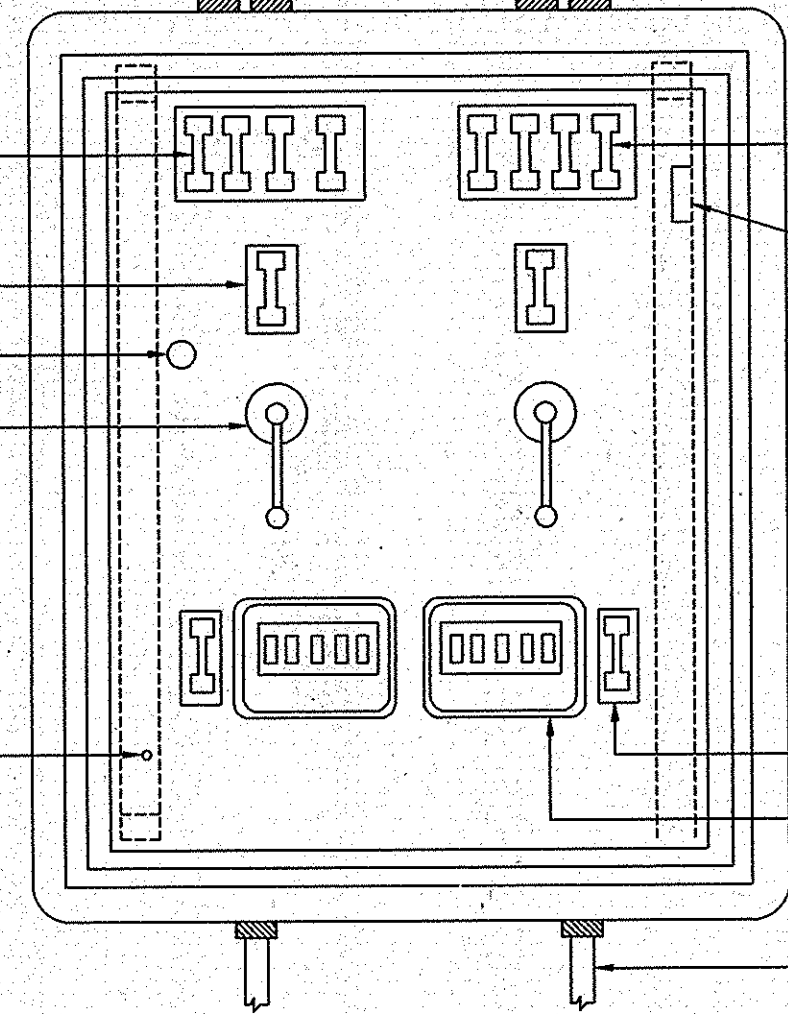
DETAIL AT 'B'  
NOT TO SCALE

DETAIL AT 'B'  
NOT TO SCALE



FRONT ELEVATION  
SCALE - 1:50

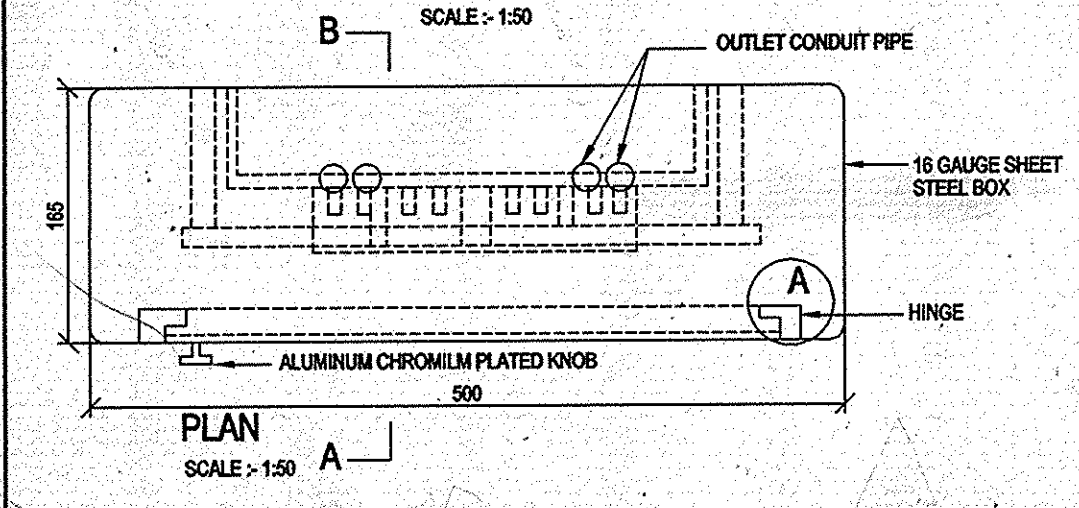
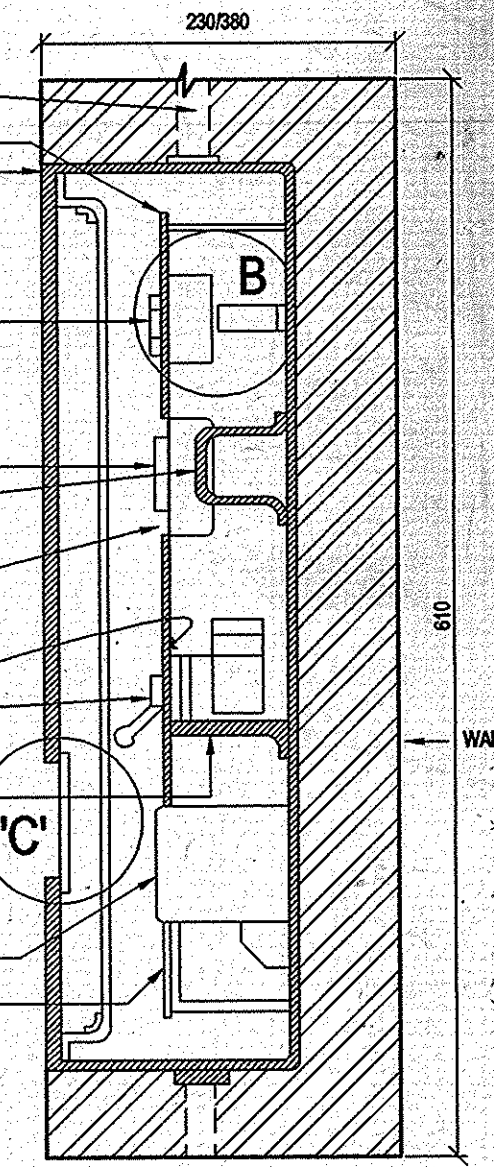
- CIRCUIT FUSES
- HINGE
- FUSE FOR SWITCHES ALUMINIUM OR CHROMIUM PLATED KNOB 25 mm Ø
- HINGED INNER SHUTTER
- ROTARY SWITCH
- RECTANGULAR OPENING IN OUTER SHUTTER COVERED WITH GLASS FOR METER READING
- SCREW



FRONT ELEVATION  
OUTER SHUTTER REMOVED  
SCALE - 1:50

- CIRCUIT FUSE CARRIER & BASE MOUNTED ON BUS BAR
- HINGE
- FUSE CARRIER AND BASE
- NEUTRAL BUS BAR
- ALUMINIUM OR CHROMIUM PLATED KNOB
- 3 mm TH MS SHEET TO SUPPORT INNER SHUTTER
- ROTARY TYPE SWITCH (HANDLE REMOVED)
- 3 mm TH PLATE TO SUPPORT SWITCHES
- 16 GAUGE SHEET STEEL BOX
- 1 C FUSE CUT OUT FOR METERS
- ELECTRIC METER
- 16 GAUGE M S HINGED SHUTTER

SECTION AT A - B  
SCALE - 1:50



PLAN  
SCALE - 1:50

SWITCH BOXES FOR 500 x 610  
SWITCH 'Q' TO T1 NO 33/1870

SWITCH BOXES FOR DOMESTIC LIGHT & POWER (MAIN SWITCHES & DISTRIBUTION BOARDS (INCLUDING METERS))

DRN	TCD JAR	CHIEF ENGINEER	DATE
CAL	CKD	PUNE ZONE	1-10-88
		PUNE	SCALE AS SHOWN
DRG COMPARED BY		ASST ARCH.	
N.Y. PACHANGE, D.MANI			
09-06-03			
R. Rana Mohini		sd xxx	sd xxx
CD		SO III EM	S.O.I. EM FOR CEPZ PUNE.
DRG. NO. CEPZ/88/TD/14M		SHT. 2/3	